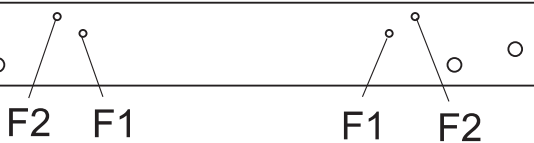


C1

Top view



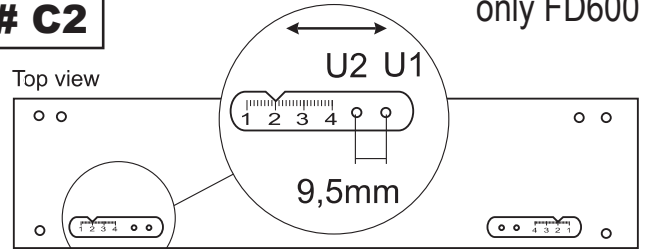
Side view



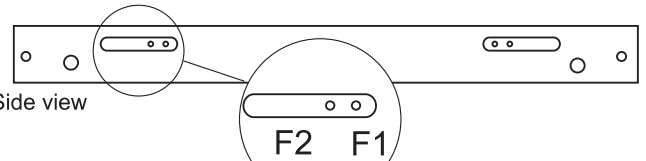
C2

only FD600

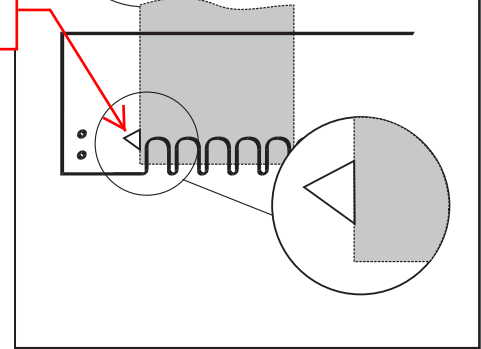
Top view



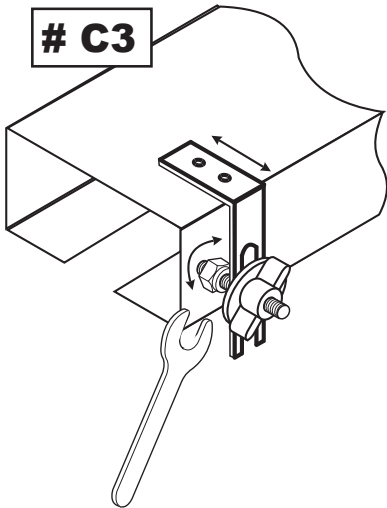
Side view



2/ for symmetrical joints

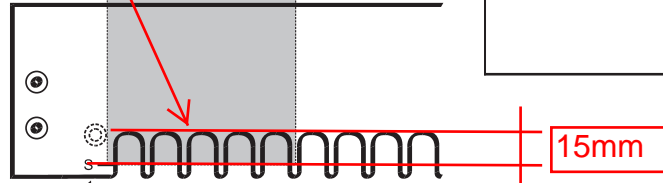


C3



C4

1/



D2